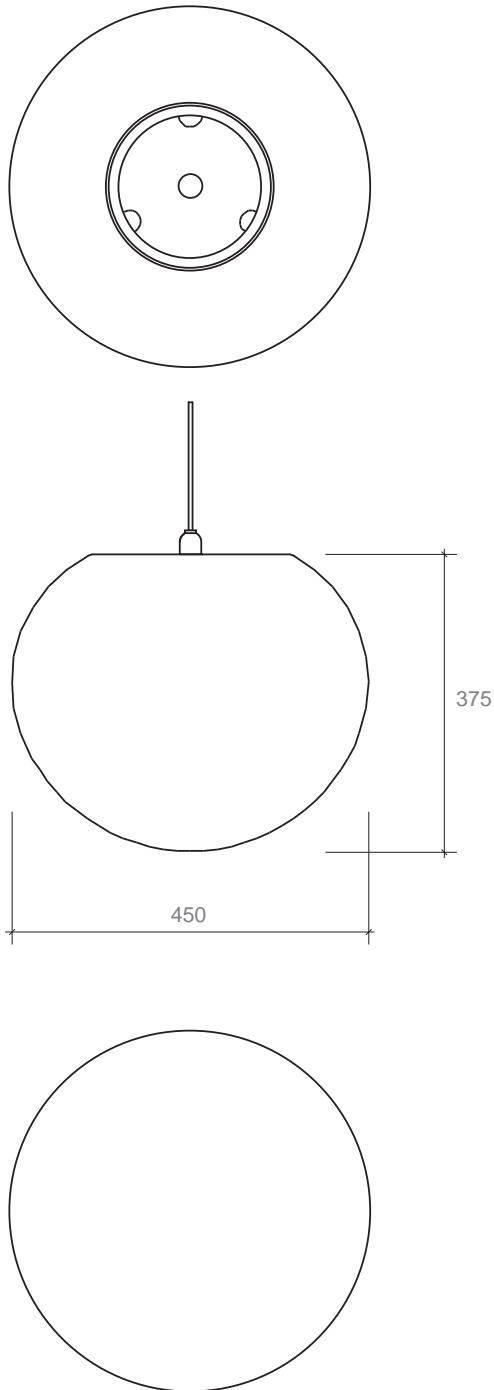


polly lampshade



polly lampshade



Name

Polly Lampshade

Design by

One Foot Taller

Product Background

This shade is a voluminous classic form, which can be used as a large central pendant in domestic spaces, and as a calm shade in open areas. The even, all over glow means that it looks good when seen from above as well as below.

Colour

Natural

Dimensions

450mm dia x 375 high

Weight

Approx 2kg

Materials

Polyethylene and stainless steel

Care

Clean shade with household cleaner and soft cloth. Recommended for use with 30W CFL lamp, (max tested for 60W GLS)..

Parts Supplied

Shade and attachment plate. Wiring not included.